

VECTOR P HOOKED CAM



This patented heavy-duty paddle latch is available with left, right or universal grip handle. The latching mechanism securely latch the cam behind the striker and the more force that is placed on the cam – the harder it will engage the striker.

Installed with a mounting bracket or four moulded-in bolts. IP66 water- and dust sealing. Key extraction: open/closed

Available with the inside release safety feature. This enables opening the latch from the inside even when it is locked.



MATERIAL

Adapter for cylinder (internal component):

Glass fibre reinforced polyamide (PA6GF30)

Body: Glass fibre reinforced polyamide (PA6GF30)

Cam: Glass fibre reinforced polyamide (PA6GF30)

Cast-in bolts: Steel, zinc plated

Cylinder: Zinc die cast, stainless steel 304 cap and dust shutter

Gaskets: Polyurethane

Handle: Glass fibre reinforced polyamide (PA6GF30)

Manoeuvre arms: Zinc die cast, zinc plated

Mounting bracket: Steel, zinc plated

Nut: Steel, zinc plated

O-ring: NBR

Striker: Steel, zinc plated

RELATED PRODUCTS

Similar products: 2-834

Accessories: 2-412

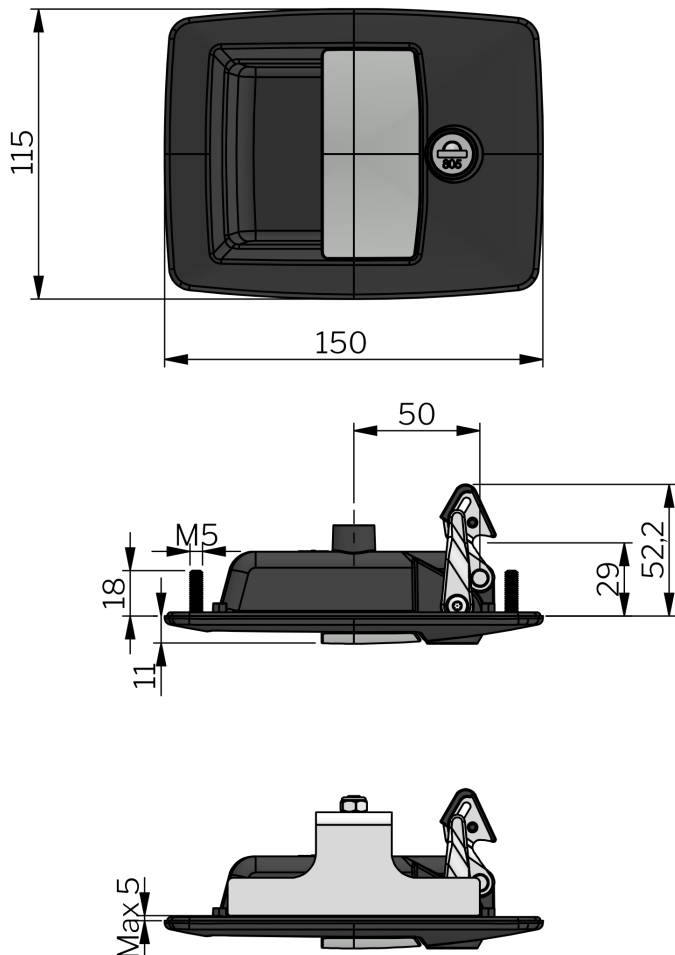
Use the Index Code at industrilas.com

TECHNICAL INFORMATION

The tightening torque of the two nuts for the mounting bracket is 3,0 Nm. The tightening torque of the four nuts for the mould-in bolts is 2,2 Nm. It is important that the four holes made in the cut out for the mould-in bolts are within tolerance, to avoid damage when tightening the M5 nuts.

Standards: IP66, DIN EN 61373

Cylinder information: Cylinder with other key codes on request, Supplied with two keys



Industrilas
— When access counts —

Make your selections in each column to create your article number (AAAA-BBCDDE-FFGG)

AAAA Type	BB Handle	Material	C Mounting	DD Cam	E Type	FF Cylinder	GG Striker	H	L
2800 VECTOR - Paddle	00 Universal	PA6	1 Mould-in bolts	Fixed cam to prevent inside opening	0 Standard	01 Keyed alike 805	00 No	-	-
		Zinc die cast, chrome plated	2 Mounting bracket	02		01 Keyed alike 455	01 Yes	16	55
	01 Universal	Zinc die cast, black		Cam with inside safety release		02 Keyed to differ			
	02 Universal	PA6				03 Keyed alike CH751			
	10 Left	PA6				06 Keyed alike 810			
	20 Right	PA6				69 Keyed alike 815			
						70 Keyed alike 820			
						71 Keyed alike 825			
						72 Keyed alike 830			
						73 Keyed alike 835			
						74 Keyed alike 840			
						75 Keyed alike 845			
						76 Keyed alike 850			
						77			

